

## Zipper® Arm Sleeve®

Zipper® Arm Sleeve is a multiple air compartment compression garment for the treatment of arms.



### Use the Zipper® Sleeve with Mego Afek Devices:

Lympha Press Plus® | Optimal Pro® | Optimal Wave® | Optimal® | Lympha Press Mini® |  
Lympha Press Wave® | Lympha press 103® |

### Recommendations:

- Use while sitting or lying with arm straight and supported.
- Wear cotton long sleeved T shirt.

**Note:** Use Zipper® Arm Sleeve with shoulder attachment for better results.

### Instructions for Wearing



1. Open the zipper fastener and wrap over your arm.
2. Close the zipper fasteners, closing the sleeve.
3. There are three zipper fasteners for different sleeve sizes. Close the fastener which adapts the size to meet your needs, closing the sleeve.

### Note:

It is possible to simultaneously operate two Zipper arm sleeves® using the additional air outlet located on the pressure device. If only one sleeve is used, plug the air outlet not in use with the 12-pronged plug supplied with the pressure device.

Zipper Arm Sleeve (1) With shoulder attachment (2)

### Connecting the Hose Bundle

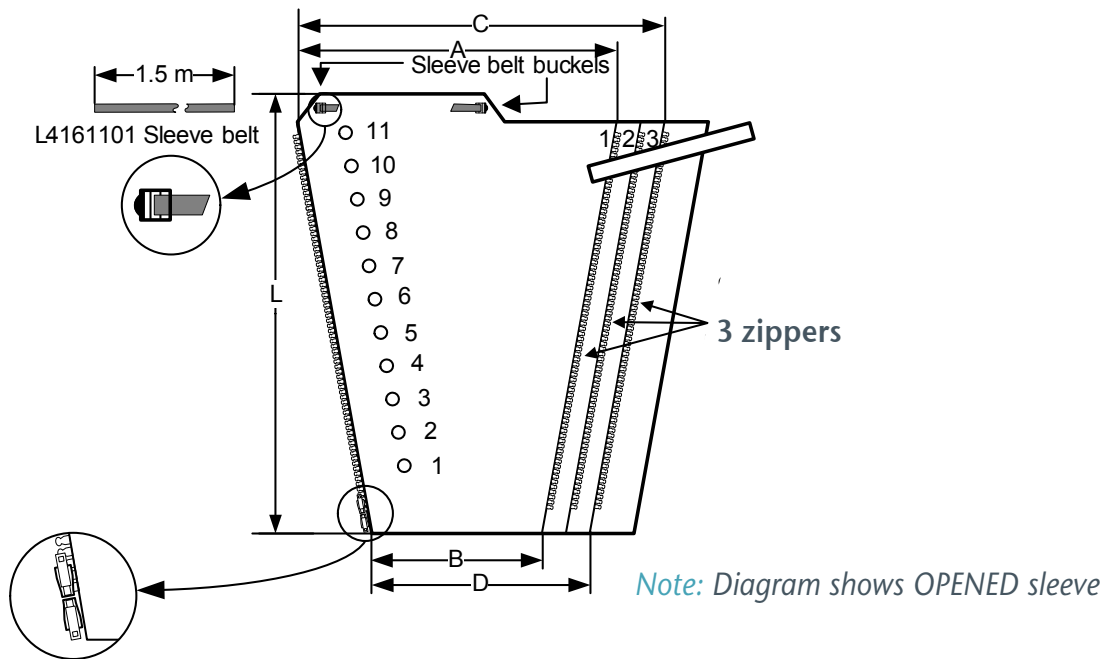
1. Connect hoses to the Zipper Arm Sleeve® by inserting each hose into the appropriate valve. The end fittings of the hoses are numbered. Always begin by inserting hose number 1 into the valve closest to hand. **Note:** The Zipper sleeve is conical. The wider end is for the arm and the narrow side is closest to hand.
2. Continue connecting the hoses to the valves in increasing numerical order.
3. If you are left with hoses that are not connected to air inlets, plug them with the double sided plugs (supplied with the pump). When using Zipper Arm Sleeve shoulder attachment connect the extra air hose to the air inlet on the shoulder attachment.
4. Insert the hose bundle connector (in direction pointed by red arrows) into the corresponding air socket receptacles of the pressure device and secure the safety screw.

# Zipper® Arm Sleeve®

## Disconnecting the Hose Bundle

Loosen the safety screw or depress the retaining clip. Pull the hose connector from device.

## Availability Chart:



Catalog No.	Sleeve No.	Circumference Range				Sleeve Length	No. of Cells	Shoulder Attachment Zipper Length	Weight (Kg.)
		Top		Bottom					
		Min	Max	Min	Max				
		A	C	B	D	L		Z	
L41111A4	ZIP 1-75L	44	55	26	35	75	10	40	0.76
L41111A5	ZIP 1-75M	40	50	25	33	75	10	35	0.76
L41111A6	ZIP 1-75S	35	45	24	32	75	10	30	0.76
L41111B4	ZIP 1-80L	46	56	27	26	82	11	40	0.72
L41111B5	ZIP 1-80M	41	52	25	33	82	11	35	0.72
L41111B6	ZIP 1-80S	36	46	25	33	82	11	30	0.71

- All Dimensions are in cm (Centimeters)
- General tolerance:  $\pm 1$  cm