

Boot® Sleeve

Boot Sleeve is a pressure garment for the treatment of the foot area only. It is used along with Zipper Leg Sleeve.



Use Boot® Sleeve along with Zipper leg sleeve with following Mego Afek devices:

Lympha Press Plus® | Optimal Pro® | Optimal Wave® | Optimal® | Lympha Press Mini® | Lympha Press Wave® | Lympha press 103

Instructions for Wearing:

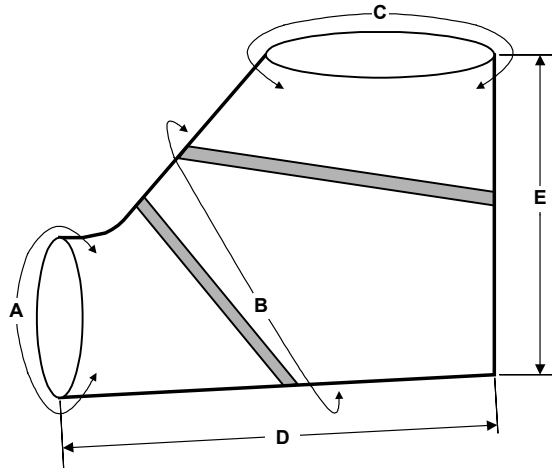
1. Once your Zipper Leg Sleeve is in place, wear the Boot® Sleeve the way you put on a walking boot.
2. Use Velcro fasteners to fit the boot to your leg.
3. Use external straps to prevent the opening of the Velcro fasteners under high pressure (Applicable only in large sizes).
4. Connect hose no.1 to the air inlet valve on the boot. If you have two air inlets on your boot, connect hose no.1 to the valve closest to toes, then connect hose no.2 to the second valve.
5. **NOTE:** in case hoses (1 & 2) are too short and do not reach the inlet air valves on the boot, use the provided extension tubes.
6. Continue connecting the hoses up the Zipper leg sleeve.



Boot Sleeve (1) Fitted with Zipper Leg Sleeve (2)

Boot® Sleeve

Availability Chart:



Cat#	No. of cells	Boot Name	Toe opening circumference	Instep circumference		Ankle opening circumference		Heel to toe	Height	Weight (kg)
				A	B Min.	B Max.	C Min.			
L4122111	1	#1P Pediatric	18	22	26	12	26	21	16	0.120
L4122210	1	#2P Pediatric	22	34	38	15	26	27	25	0.180
L4121110	1	#1 Adult Reg.	28	46	48	18	34	30	29	0.230
L4121210	2	#2 Adult M	23	40	42	30	46	28	27	0.270
L4121310	2	#3 Adult L	28	48	54	36	60	37	30	0.325
L4121410	2	#4 Adult XL	32	52	62	42	70	40	35	0.355

1. All dimensions are in cm. (centimeters)
2. General tolerance: ± 1 cm