

Lympha Jacket®

Lympha Jacket® is designed to give best lymph drainage for both arms and upper abdomen. Lympha Jacket® is also very efficient in cases where only one arm suffers from Lymph edema.



Use the Lympha Jacket® with Mego Afek Devices:

Lympha Press Plus® | Optimal Pro® | Optimal Wave® | Optimal® | Lympha Press Mini® | Lympha Press Wave® | Lympha press 103®.

⚠ CAUTION: You might find it difficult to wear the Lympha Jacket and operate the Pump properly. If this is the case, have another person close to you, to help you in and out of the Jacket and assist you with the pump operation.

Recommendations: Use Lympha Jacket® -

- While sitting down on a couch. Back should lean backward in an angle of about 45 Deg
- Back and arms should be well supported.
- Wear cotton training T shirt under the Jacket.

Instructions for Wearing:

1. Open the zipper on front of the Jacket.
2. Put your arms into the sleeves. Have someone help you zip up if you find it difficult.
3. Use front straps to tighten the jacket as much as possible without becoming uncomfortable
4. Use Jacket Expander® if closing the Jacket proves difficult.



Wear the Jacket



Close zipper and tighten straps



Jacket ready to use

Connecting the Hose Bundle

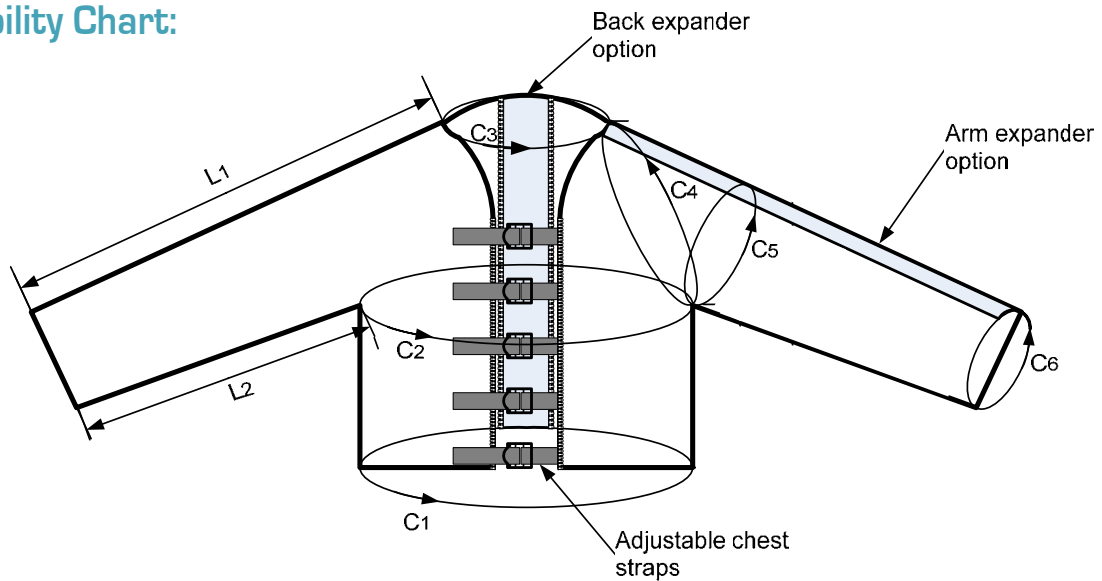
Insert the hose bundle connectors (in direction pointed by red arrows) into the corresponding air socket receptacles of the pressure device and secure the safety screw.

Lympha Jacket®

Disconnecting the Hose Bundle

Loosen the safety screw (or press the snap lock where applicable) and gently pull the hose connector from the device.

Availability Chart:



Jacket	Part No.	L1	L2	Adjustable Chest Straps						With Optional Back / Arm Expanders							
				C1 & C2		C3		C4	C5	C6	C1&C2	C1&C2	C3	C3	C4	C5	C6
				min	max	min	max				min	max	min	max			
Medical OFH* (short)	L4MJ2125	80	57	105	123	48	64	68	48	40	115	133	58	74	77	58	50
Medical OFH* (long)	L4MJ2135	96	72														
Medical OFS** (short)	L4MJ2120	80	57														
Medical OFS** (long)	L4MJ2130	96	72														
Cosmetic (short)	L4MJ4120	80	57														

Notes:

* **Open From Hand** ** **Open From Shoulder**

All dimensions are in cm. General Tolerance: ±1 cm