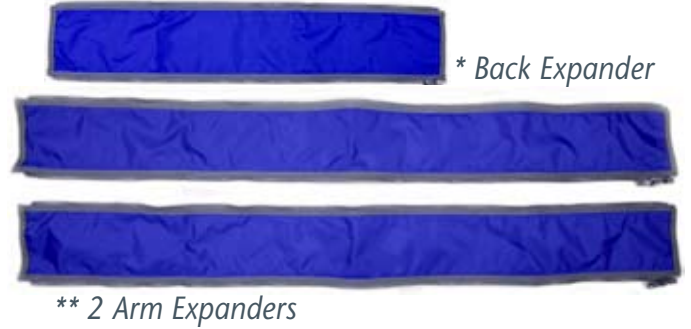


## Lympha Jacket Expanders®

Jacket Expanders will add to circumference of jacket (torso & arms) to accommodate larger persons.



Use the Lympha Jacket® Expander with:  
Mego Afek Lympha Jacket®

### Instructions for Wearing:

1. Fit Back Expander to back zipper. Up to 2 expanders can be fitted to back zipper.
2. Fit the Arm Expanders to zippers on arm sleeves. Up to 2 expanders can be fitted to each arm sleeve.



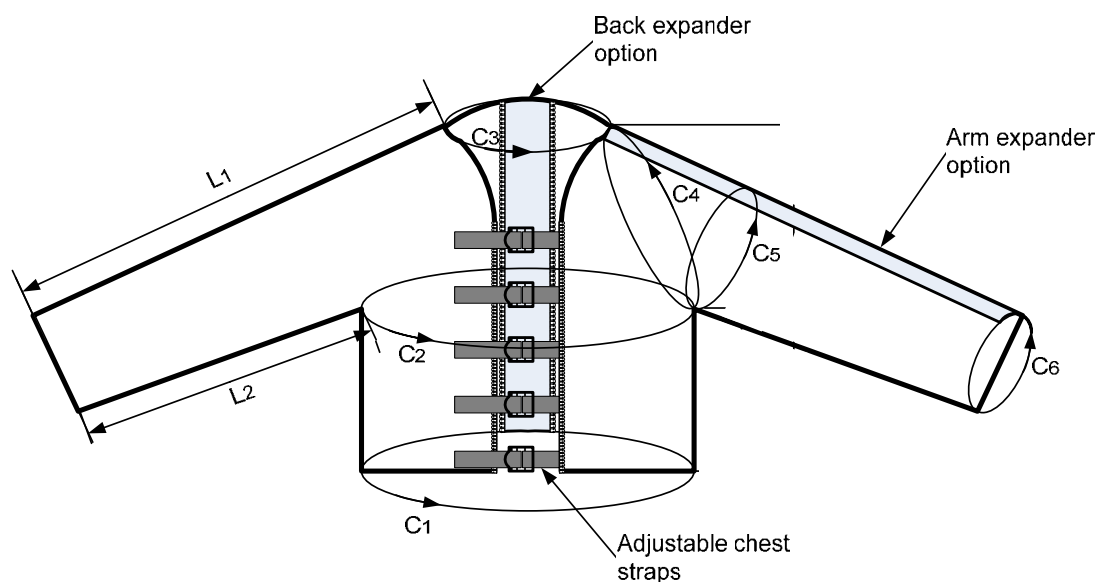
*Arm Expanders  
Fitted to right arm zipper as shown in the pict.*



*Back Expander fitted to back zipper*

# Lympha Jacket Expanders®

## Availability Chart:



Part No.	L1	L2	Adjustable Chest Straps						With Optional Back / Arm Expanders (One set of expanders)							
			C1 & C2		C3		C4	C5	C6	C1&C2	C1&C2	C3	C3	C4	C5	C6
			min	max	min	max				min	max	min	max			
L4MJ2125*	80	57														
L4MJ2135	96	72														
L4MJ2120**	80	57	105	123	48	64	68	48	40	115	133	58	74	77	58	50
L4MJ2130**	96	72														
L4MJ4120	80	57														

**Notes:**

\* **Open From Hand** \*\* **Open From Shoulder**

All dimensions are in cm. General Tolerance: ±1 cm