

Phlebo Press® Leg Sleeve Tapered Expander

The Phlebo Press® Leg Sleeve Tapered Expander enables you to extend the circumference of Mego Afek Phlebo Press® Leg Sleeve.



Use the Phlebo Press® Leg Sleeve Tapered Expander with Mego Afek: Phlebo Press® Leg Sleeve

Each Tapered Expander will add 10 cm to the top part of the Phlebo Press® Leg Sleeve, and 4 cm to the foot area circumference. Use this Tapered Expander when the Leg Sleeve is wide enough on the foot area but too tight, or does not close on the thigh. Each Expander has zipper fasteners of each side of the expanders.

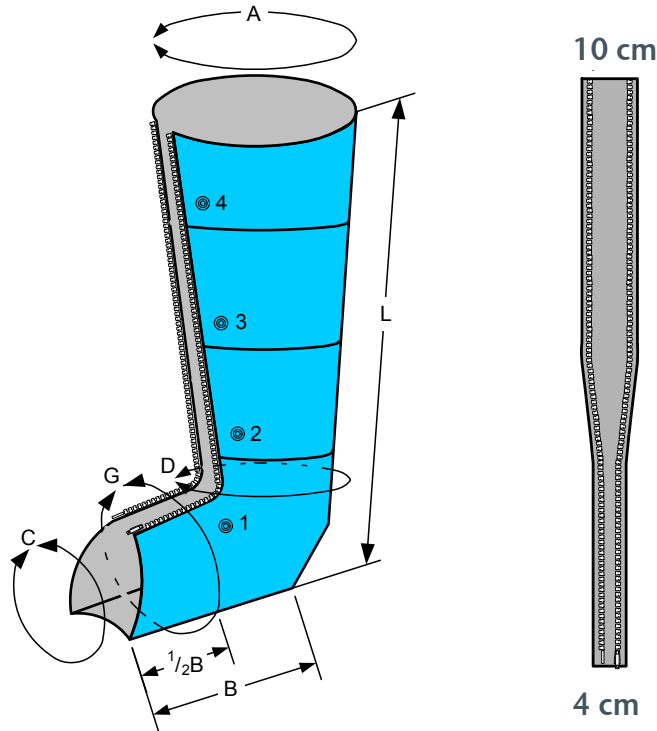
Instructions for Wearing

1. Open the Phlebo Press® Leg Sleeve that you want to expand and separate the two sides of the zipper fastener.
2. The Expander is wide at its top part and narrow on its bottom part. Place the Expander with the narrow part close to the foot. Fasten the Expander to the Phlebo Press® Leg Sleeve on both sides of the Expanders.
3. Use the expanded Phlebo Press® leg Sleeve as in the standard manner.

Phlebo Press® Leg Sleeve Tapered Expander

Availability Chart:

Tapered Expander



Sleeve cat #	Expander cat #	Size (length)	Circumference of Leg Sleeve with Tapered Expander			
			A	C	D	G
L41P2250	L415T056	AT	66	36	47	47
L41P2275	L415T078	BT	74	36	47	47
L41P2285	L415T087	CT	78	36	47	47
L41P2290	L415T094	FT	82	36	47	47
L41P2365	L415T078	BT	90	51	60	56
L41P2375	L415T087	CT	96	51	60	56
L41P2385	L415T097	DT	98	51	60	56

1. All Dimensions are in cm (Centimeters)
2. General tolerance: ± 2 cm
3. A, C, D & G dimensions are circumferences.